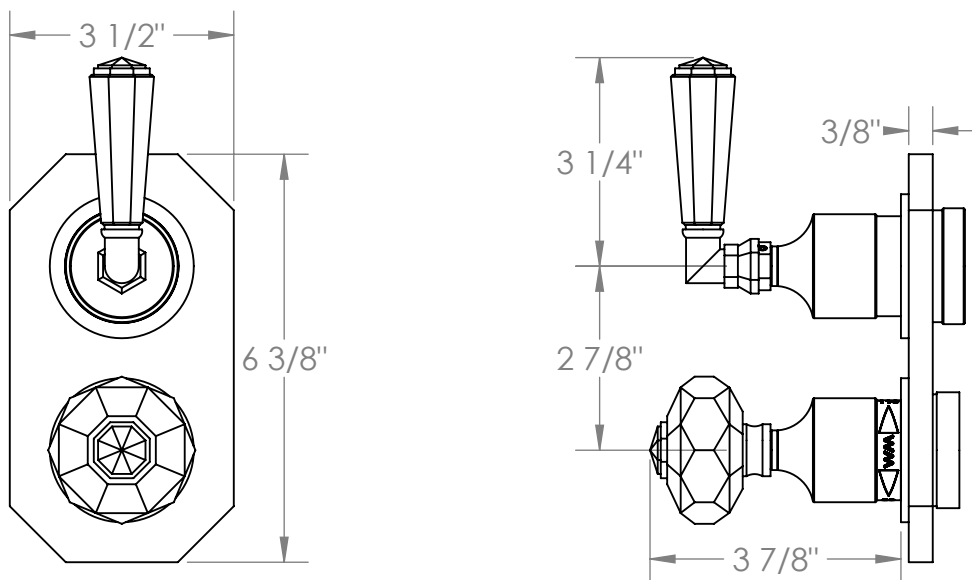
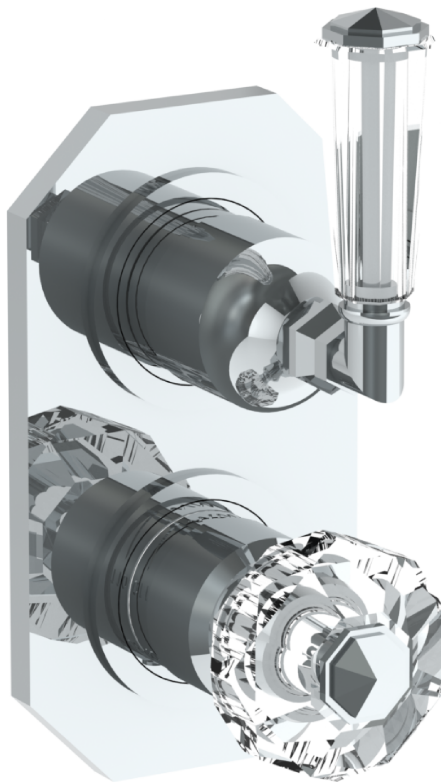


314-T25-CRY4

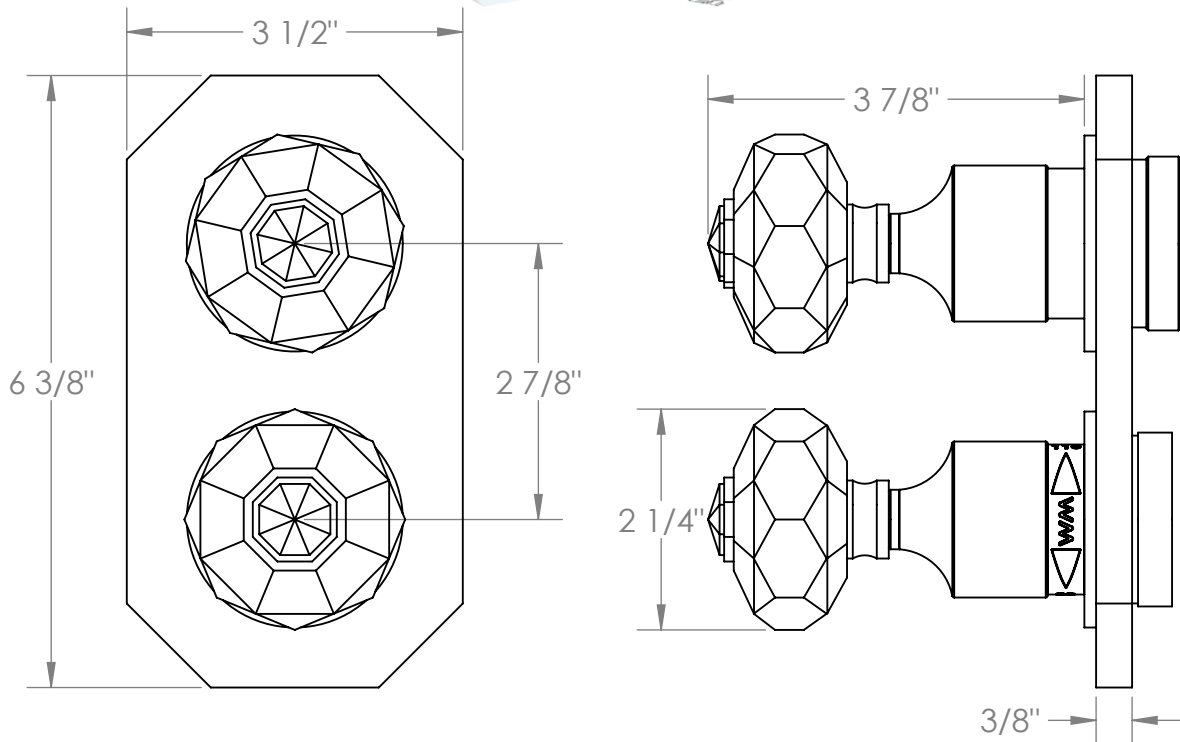
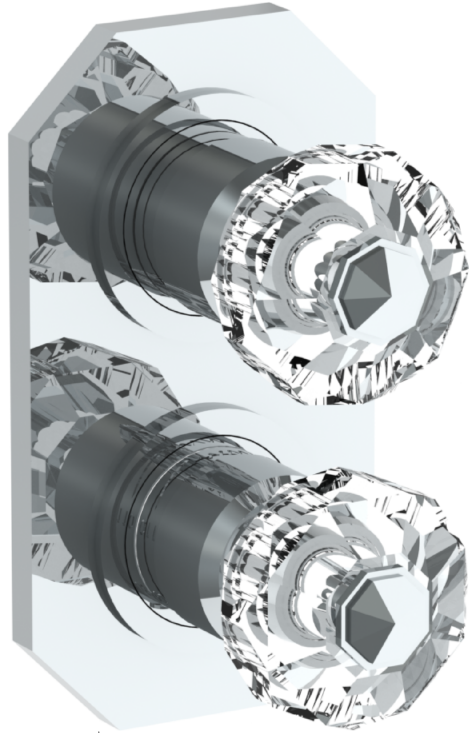
Wall Mounted Mini Thermostatic Trim Kit wuth Built-In Control
For use with SS-TH60 or SS-TH70 concealed rough



Meets the applicable requirements of ASME A112.18.1-2005/CSA B125.1-05, entitled "Plumbing Supply Fittings"

314-T25-CRY5

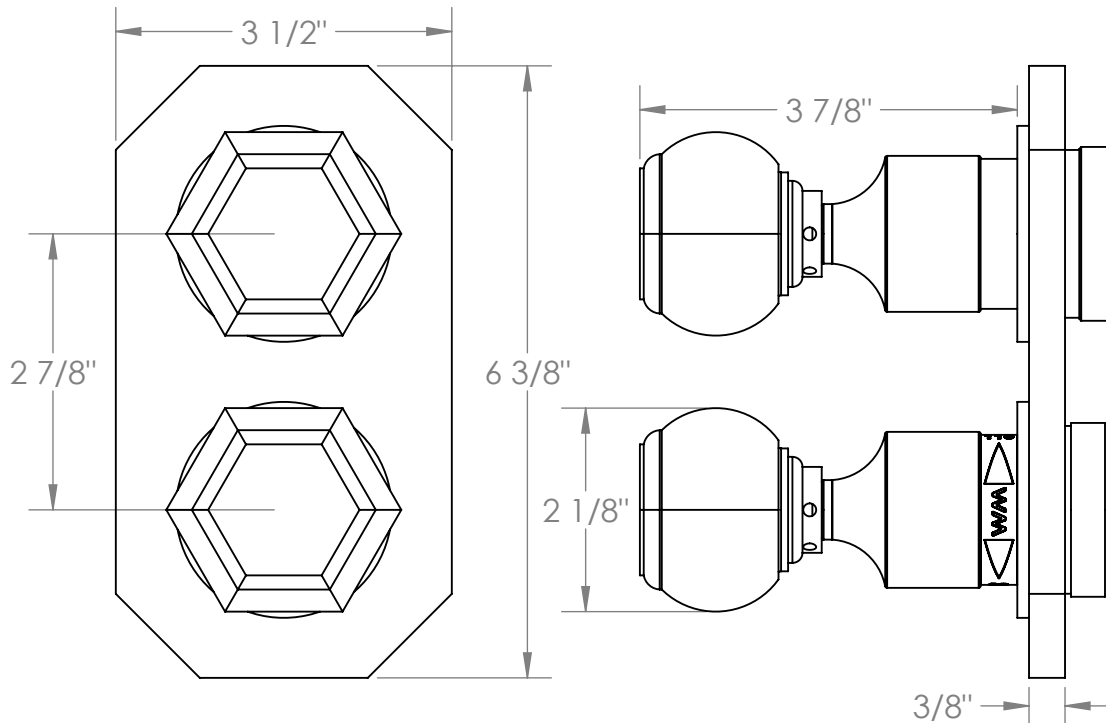
Wall Mounted Mini Thermostatic Trim Kit with Built-In Control
For use with SS-TH60, SS-TH70, or SS-TH80 concealed rough



Meets the applicable requirements of ASME A112.18.1-2005/CSA B125.1-05, entitled "Plumbing Supply Fittings"

314-T25-T6

Wall Mounted Mini Thermostatic Trim Kit with Built-In Control
For use with SS-TH60, SS-TH70, SS-TH80 concealed rough



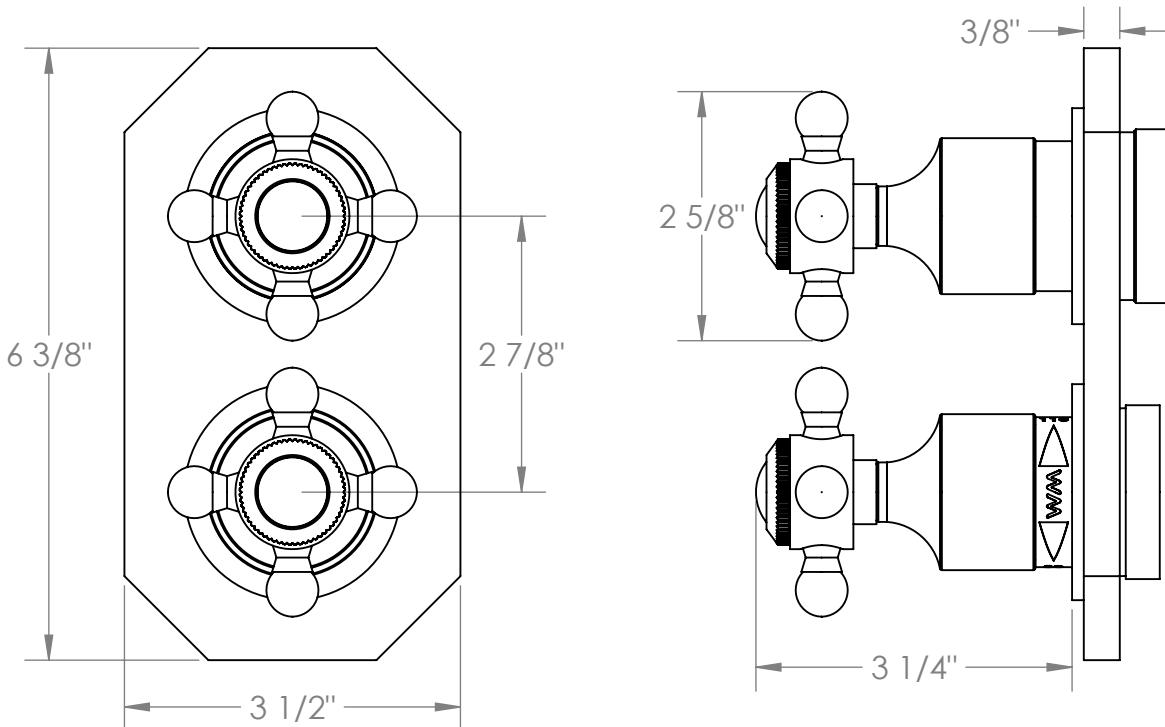
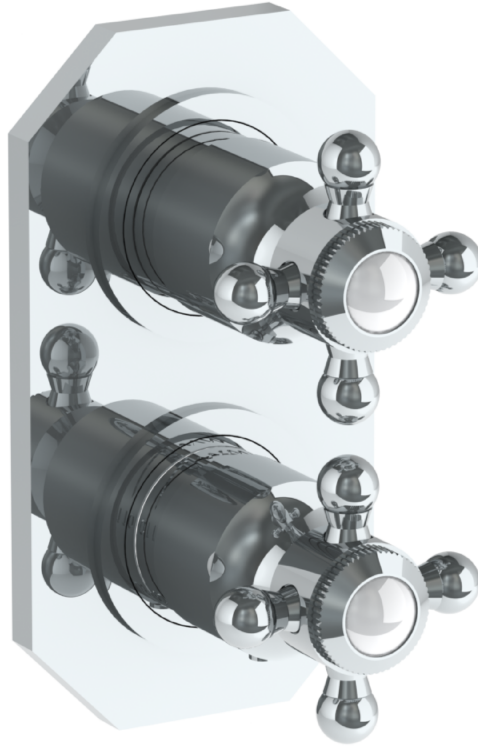
Meets the applicable requirements of ASME A112.18.1-2005/CSA B125.1-05, entitled "Plumbing Supply Fittings"

WATERMARK DESIGNS 4/15/2020

350 Dewitt Ave Brooklyn NY 11207 USA T 718 257 2800 F 718 257 2144 info@watermark-designs.com

314-T25-XX

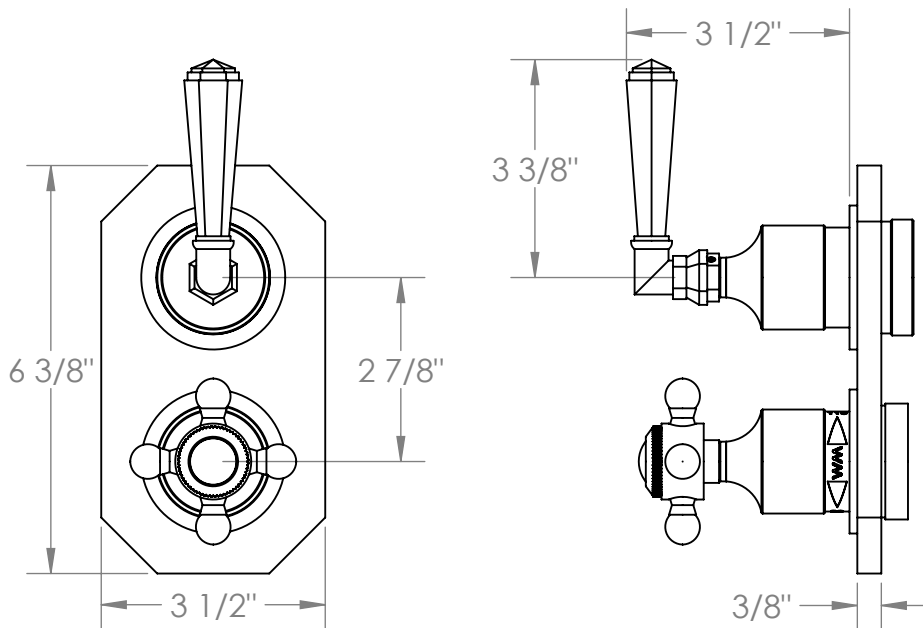
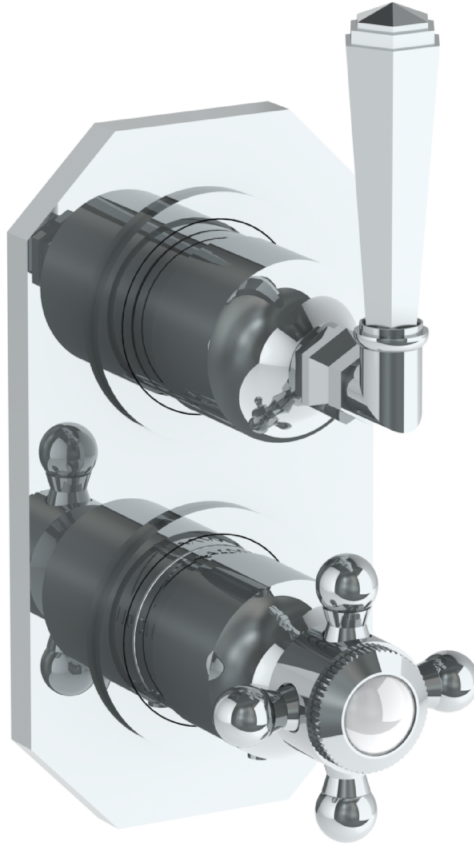
Wall Mounted Mini Thermostatic Trim Kit with Built-In Control
For use with SS-TH60, SS-TH70, or S-TH80 concealed rough



Meets the applicable requirements of ASME A112.18.1-2005/CSA B125.1-05, entitled "Plumbing Supply Fittings"

314-T25-YY

Wall Mounted Mini Thermostatic Trim Kit with Built-In Control
For use with SS-TH60 or SS-TH70 concealed rough



Meets the applicable requirements of ASME A112.18.1-2005/CSA B125.1-05, entitled "Plumbing Supply Fittings"

WATERMARK DESIGNS 4/15/2020

350 Dewitt Ave Brooklyn NY 11207 USA T 718 257 2800 F 718 257 2144 info@watermark-designs.com